

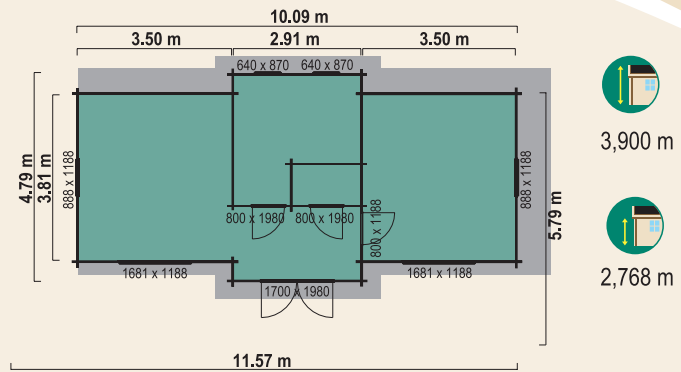
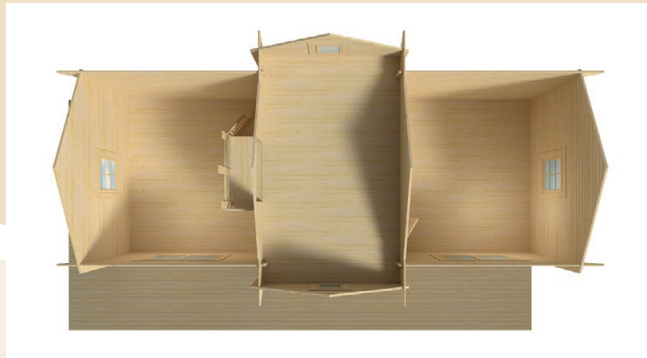


Lillevilla 110 E-2

LILLEVILLA 110 E2

Wall thickness (mm)	44
Area (mm)	10090x3900 = 41,4 m ²
Ridge height (mm)	3900
Side wall height (mm)	2768
Area including roof eaves ca.	11570x6340
Roof area	67,0 m ²
Roofing material	black bitumen shingles
Door type T(1700x1980)	1 piece
Door type U(800x1980)	1 piece
Door type U2(800x1980)	1 piece
Door type U7(800x1980)	1 piece
Window type F (1681x1188)	2 pieces
Window type E (640x874)	2 pieces
Window type C (888x1188)	2 pieces
Window type A (640x640)	2 pieces
Floor boards (mm)	21
Terrace (mm) included	11570x950 + 1524x3900 = 16,9 m ²
EAN code	6418635007358
Package size (LxHxW,mm)/ kg	5950x970x1150/1500 kg 5000x1030x1150/1680 kg 5250x980x1150/1770 kg 1200x900x1150/700 kg

Double glass windows



Lillevilla 110 E-2 is a gem. With over 40 m² of space it fulfills all your needs. And at the same time, so beautiful to look at.

